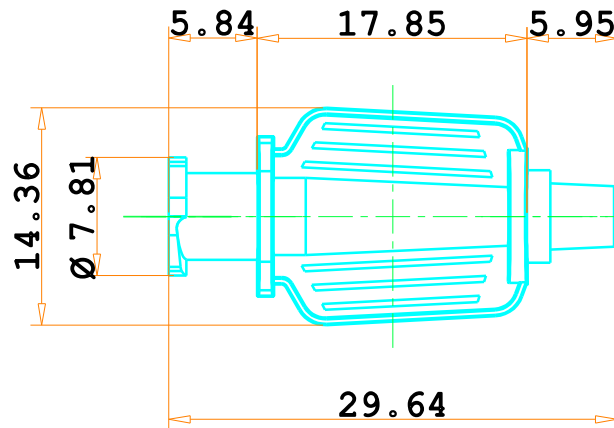
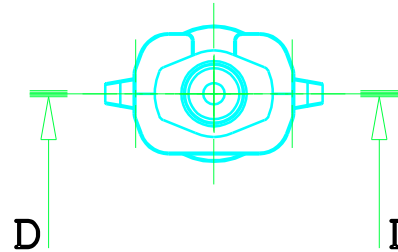
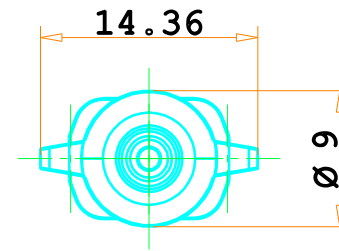
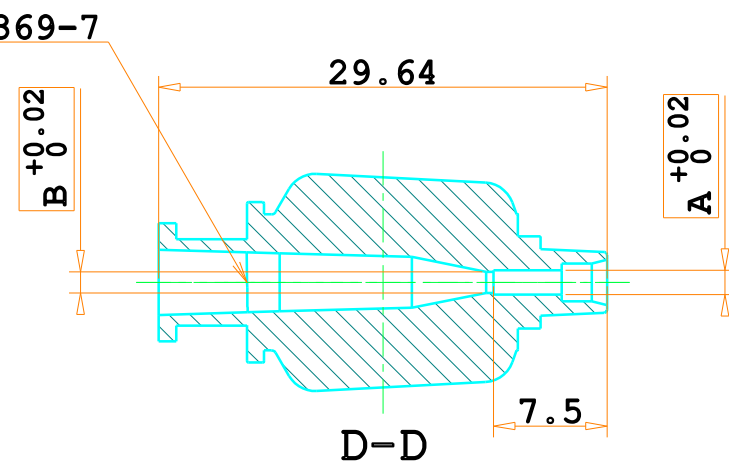


LUER CONE ISO 80369-7



CODE	GAUGE	ØA [mm]	ØB [mm]	MATERIAL
CONEASY16				PC
CONEASY16Y	16G	1,60	1,35	ZYLAR
CONEASY16M				MAKROLON
CONEASY15				PC
CONEASY15Y	15G	1,80	1,55	ZYLAR
CONEASY16M				MAKROLON
CONEASY14				PC
CONEASY14Y	14G	2,00	1,75	ZYLAR
CONEASY16M				MAKROLON

3	2	1
---	---	---



**CARRO LUIGI Srl**  
 25030 RUDIANO (BS)  
 Via Lavoro & Industria

**M0803.04 rev.00**

General Tolerances **ISO 2768-mk**

0.5 < x < 6	+0.1
6 < x < 30	+0.2
30 < x < 120	+0.3
120 < x < 400	+0.5

Mould Denomination

N° Cavities

Order

Member Denomination

**LULLABY EASY HANDLE 14G 15G 16G**

Customer code

Date  
09/11/2022

Molding Material  
SEE TABLE

C.tion

Machine

Mould Weight

Customer part

Drawn By  
Cassani M.

Approved By  
Direzione C.A.



Eyebolts

Mould Dimensions

**SEE TABLE**

N°Par. N°Pez.

Dimensions

Material

Treatment

Scale

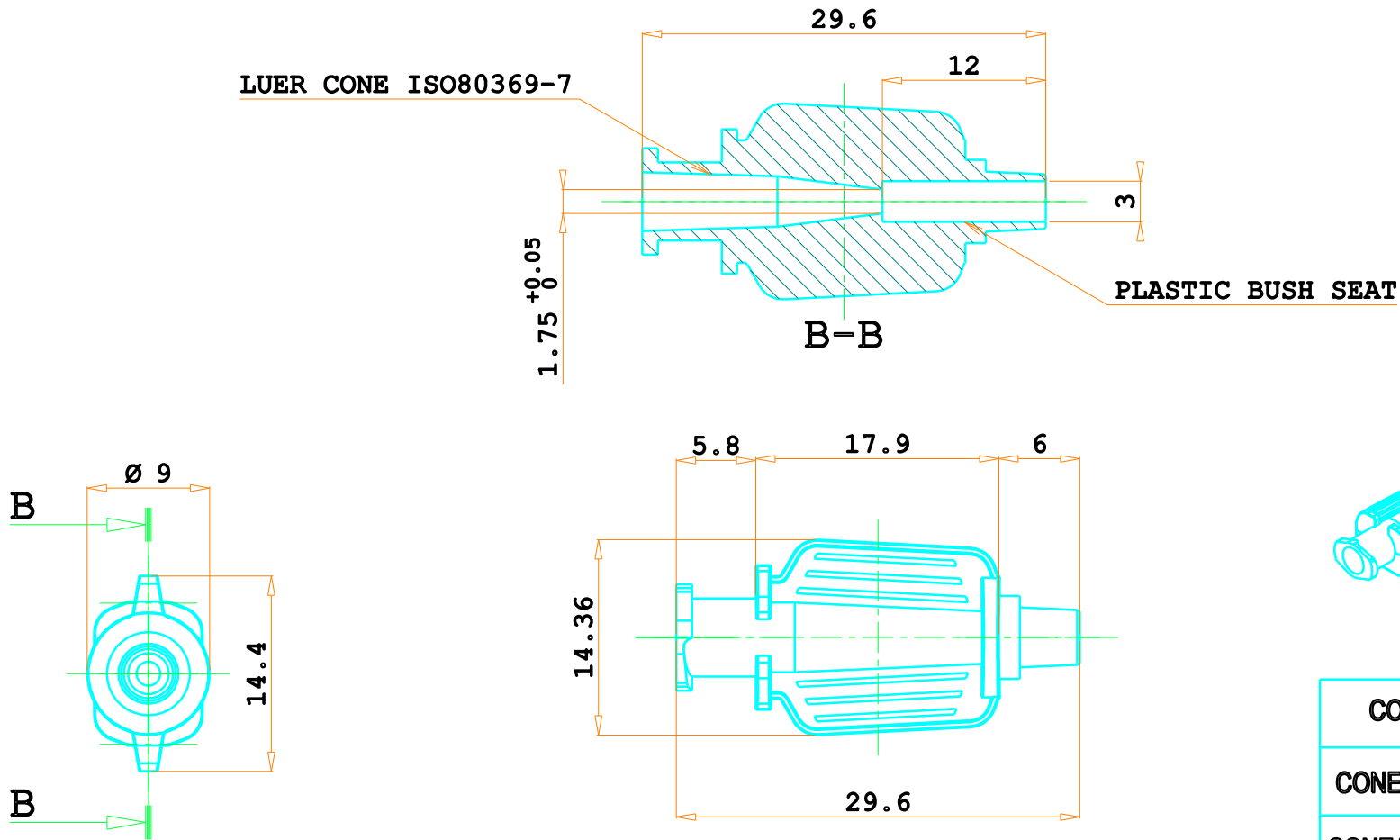
**A4**

Sheet  
1/1

Changes

Signature

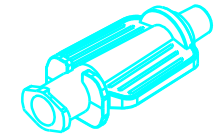
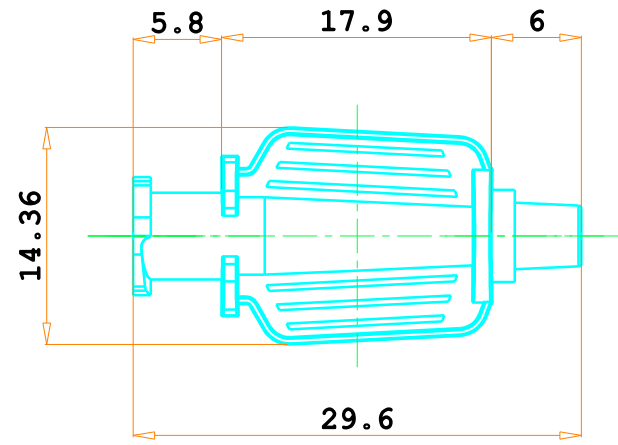
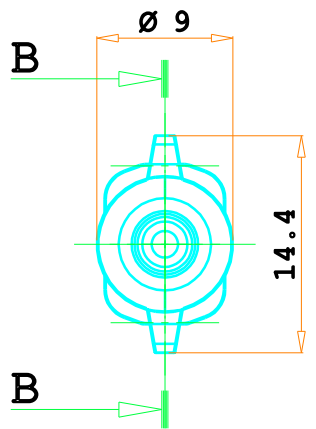
Date



LUER CONE ISO80369-7

PLASTIC BUSH SEAT


B-B



CODE	MATERIAL
CONEASYCS	PC
CONEASYCSY	ZYLAR
CONEASYCSM	MAKROLON

3	2	1
Signature		
Date		

Changes

 **CARRO LUIGI Srl**  
 25030 RUDIANO (BS)  
 Via Lavoro & Industria

**M0803.04 rev.00**

General Tolerances **ISO 2768-mk**

0.5 < x < 6	+0.1
6 < x < 30	+0.2
30 < x < 120	+0.3
120 < x < 400	+0.5

Mould Denomination

N° Cavities

Order

Member Denomination

Customer code

**LULLABY EASY HANDLE**

Date  
09/11/2022

Molding Material  
SEE TABLE

C.tion

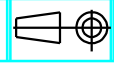
Machine

Mould Weight

Customer part

Drawn By  
Cassani M.

Approved By  
Direzione C.A.



Eyebolts

Mould Dimensions

**SEE TABLE**

N°Par.

N°Pez.

Dimensions

Material

Treatment

Scale

**A4**

Sheet  
1/1