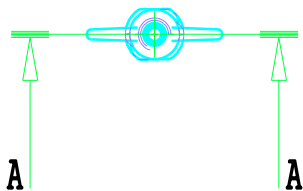


Sez. A-A



CONMO16	16G	Ø 1.6	Ø 1.3
CONMO15	15G	Ø 1.8	Ø 1.5
CONMO14	14G	Ø 2	Ø 1.7
CODE	G	Ø A	Ø B

3	2	1
Changes		
Signature		
Date		

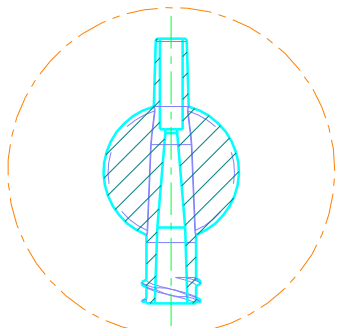
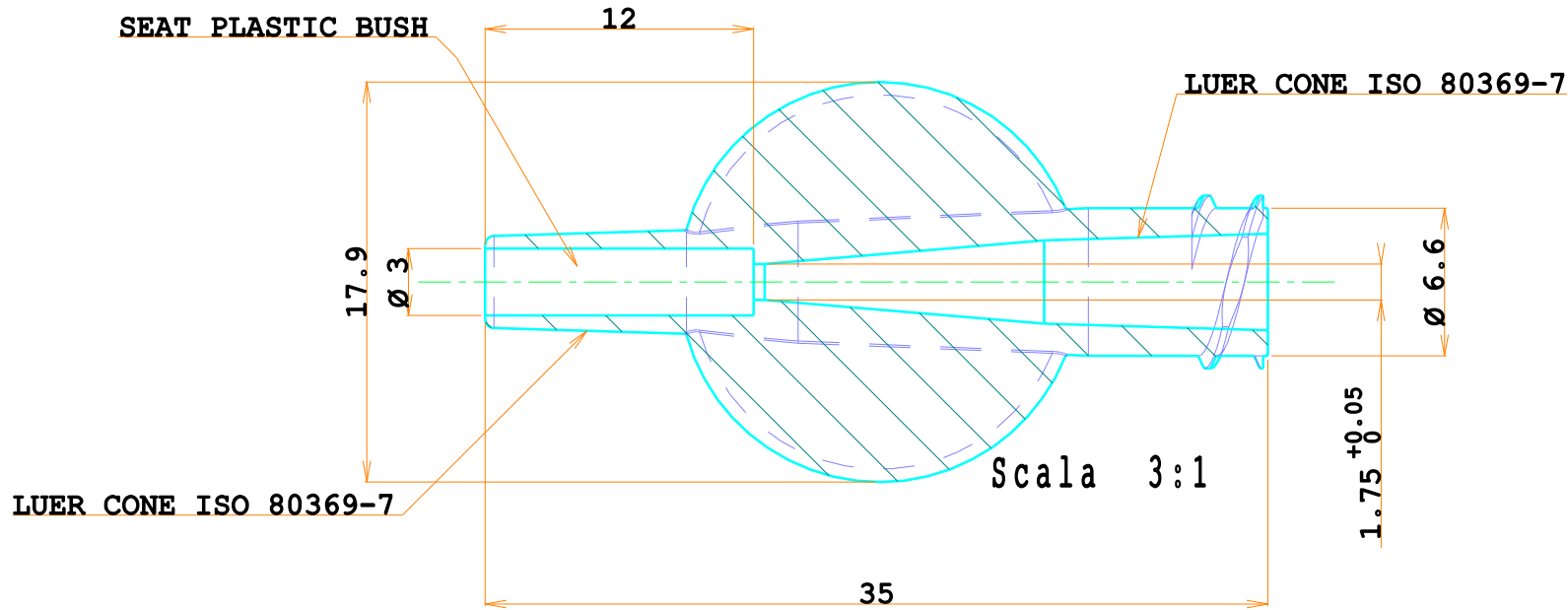
CARRO LUIGI Srl
 25030 RUDIANO (BS)
 Via Lavoro & Industria

M0803.04 rev.00

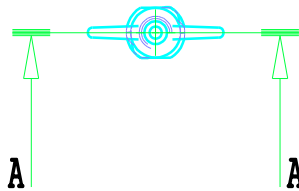
General Tolerances **ISO 2768-mk**

0.5 < x < 6	+0.1	.
6 < x < 30	+0.2	.
30 < x < 120	+0.3	.
120 < x < 400	+0.5	.

<u>Mould Denomination</u>				<u>N° Cavities</u>		<u>Order</u>	
<u>Member Denomination</u>				<u>Costumer code</u>		<u>Costumer part</u>	
MOON HANDLE 14G 15G 16G				---		CONMOxx	
<u>Date</u>	<u>Molding Material</u>	<u>C.tion</u>	<u>Machine</u>	<u>Mould Weight</u>		<u>Costumer part</u>	
11/09/2022	PC	---	---	---		CONMOxx	
<u>Drawn By</u>		<u>Approved By</u>		<u>Mould Dimensions</u>		<u>Sheet</u>	
Cassani M.		Direzione C.A.		---		A4 1/1	
<u>N°Par.</u>	<u>N°Pez.</u>	<u>Dimensions</u>	<u>Material</u>	<u>Treatment</u>	<u>Scale</u>		
---	---	---	---	---	3:1		



Sez. A-A





3 2 1

Changes

Signature

Date

 CARRO LUIGI Srl 25030 RUDIANO (BS) Via Lavoro & Industria	<u>Mould Denomination</u>			<u>N° Cavities</u>	<u>Order</u>
	MOON HANDLE			---	---
<u>MO803.04 rev.00</u>	<u>Member Denomination</u>			<u>Customer code</u>	
	MOON HANDLE			---	
<u>General Tolerances</u> ISO 2768-mk 0.5 < x < 6 +0.1 6 < x < 30 +0.2 30 < x < 120 +0.3 120 < x < 400 +0.5	<u>Date</u> 11/09/2022	<u>Molding Material</u> PC	<u>C.tion</u>	<u>Machine</u>	<u>Customer part</u>
	<u>Drawn By</u> Cassani M.	<u>Approved By</u> Direzione C.A.		<u>Eyebolts</u>	<u>CONMOCS</u>
	<u>N°Par.</u>	<u>N°Pez.</u>	<u>Dimensions</u>	<u>Material</u>	<u>Treatment</u>
	---	---	---	---	---
				<u>Scale</u> 3:1	<u>Sheet</u> 1/1