


| MATERIAL | |
|----------|-----------|
| PC | CONRETxx |
| MAKROLON | CONRETxxM |
| ZYLAR | CONRETxxY |

| | | | |
|-----------|-----------|------------------------|--------------------------|
| CONRET16C | 16G coax. | $\varnothing 1.85$ | $\varnothing 1.65$ |
| CONRET16 | 16G | $\varnothing 1.6$ | $\varnothing 1.3$ |
| CONRET15 | 15G | $\varnothing 1.8$ | $\varnothing 1.5$ |
| CONRET14C | 14G coax. | $\varnothing 2.25$ | $\varnothing 2.0$ |
| CONRET14 | 14G | $\varnothing 2.0$ | $\varnothing 1.7$ |
| CODE | GAUGE | \varnothing CANULA-A | \varnothing MANDRINO-B |

 **CARRO LUIGI Srl**
 25030 RUDIANO (BS)
 Via Lavoro & Industria

M0803.04 rev.00

| General Tolerances | ISO 2768-mk |
|--------------------|-------------|
| 0.5 < x < 6 | +0.1 |
| 6 < x < 30 | +0.2 |
| 30 < x < 120 | +0.3 |
| 120 < x < 400 | +0.5 |

Mould Denomination

Member Denomination
 RECTANGULAR HANDLE 14G 15G 16G

Date 09/11/2022

Molding Material SEE TABLE

Drawn By Cassani M.

Approved By Direzione C.A.

N°Par. _____ N°Pez. _____ Dimensions _____

C.tion _____

Machine _____

Eyebolts _____

Material _____

Treatment _____

Scale 1:2

N°Cavities

Mould Weight

Mould Dimensions

Order

Customer code

Customer part
 SEE TABLE

Order

Customer code

Customer part
 SEE TABLE

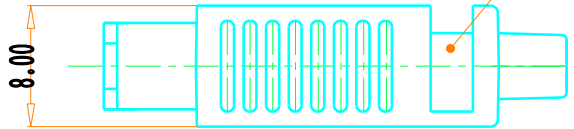
Signature

Date

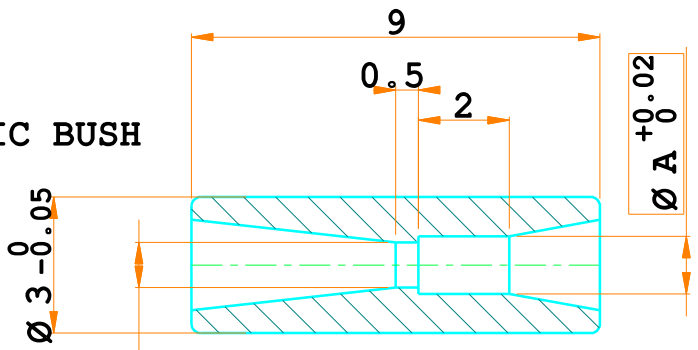
A4 Sheet 1/1

3 2 1

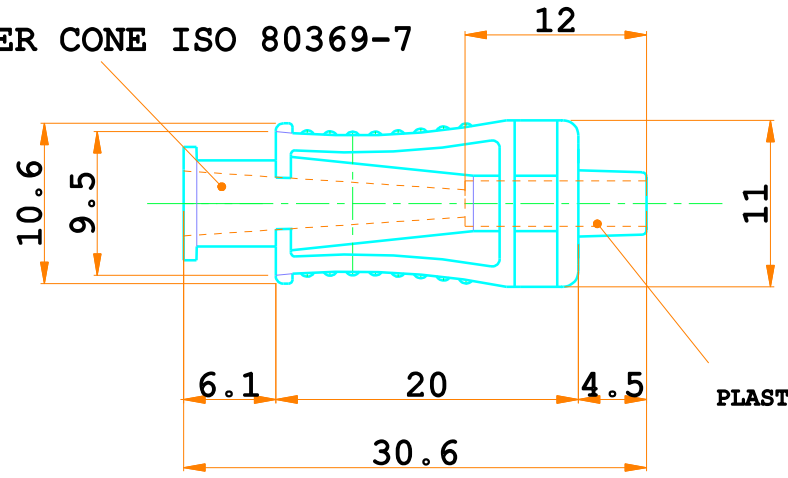
WING SEAT



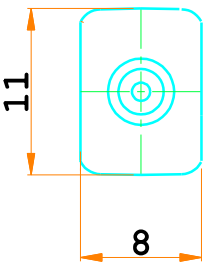
PLASTIC BUSH



LUER CONE ISO 80369-7



PLASTIC BUSH SEAT



| PLASTIC BUSH | | | |
|--------------|-------------|-----------|-------------|
| CODE | GAUGE | ØCANULA-A | ØMANDRINO-B |
| CONRET27 | 27G | Ø0.4 | Ø0.25 |
| CONRET26 | 26G | Ø0.45 | Ø0.30 |
| CONRET25 | 25G | Ø0.5 | Ø0.30 |
| CONRET24 | 24G | Ø0.55 | Ø0.35 |
| CONRET23 | 23G | Ø0.6 | Ø0.35 |
| CONRET22GS | 22G special | Ø0.7 | Ø0.55 |
| CONRET22C | 22G coax | Ø0.95 | Ø0.75 |
| CONRET22 | 22G | Ø0.7 | Ø0.45 |
| CONRET21 | 21G | Ø0.8 | Ø0.55 |
| CONRET20C | 20G coax | Ø1.15 | Ø0.90 |
| CONRET20 | 20G | Ø0.9 | Ø0.65 |
| CONRET19C | 19G coax | Ø1.35 | Ø1.10 |
| CONRET19 | 19G | Ø1.1 | Ø0.8 |
| CONRET18 INO | 18G | Ø1.25 | Ø1.0 |
| CONRET18C | 18G coax | Ø1.52 | Ø1.32 |
| CONRET18 | 18G | Ø1.27 | Ø1.0 |
| CONRET17 | 17G | Ø1.47 | Ø1.1 |


| MATERIAL | |
|----------|------------|
| PC | CONRETxx |
| MAKROLON | CONRETxx M |
| ZYLAR | CONRETxx Y |

3 2 1

Changes

Signature

Date

 **CARRO LUIGI Srl**
 25030 RUDIANO (BS)
 Via Lavoro & Industria

M0803.04 rev.00

| General Tolerances | ISO 2768-mk |
|--------------------|-------------|
| 0.5 < x < 6 | +0.1 |
| 6 < x < 30 | +0.2 |
| 30 < x < 120 | +0.3 |
| 120 < x < 400 | +0.5 |

Mould Denomination

N°Cavities

Order

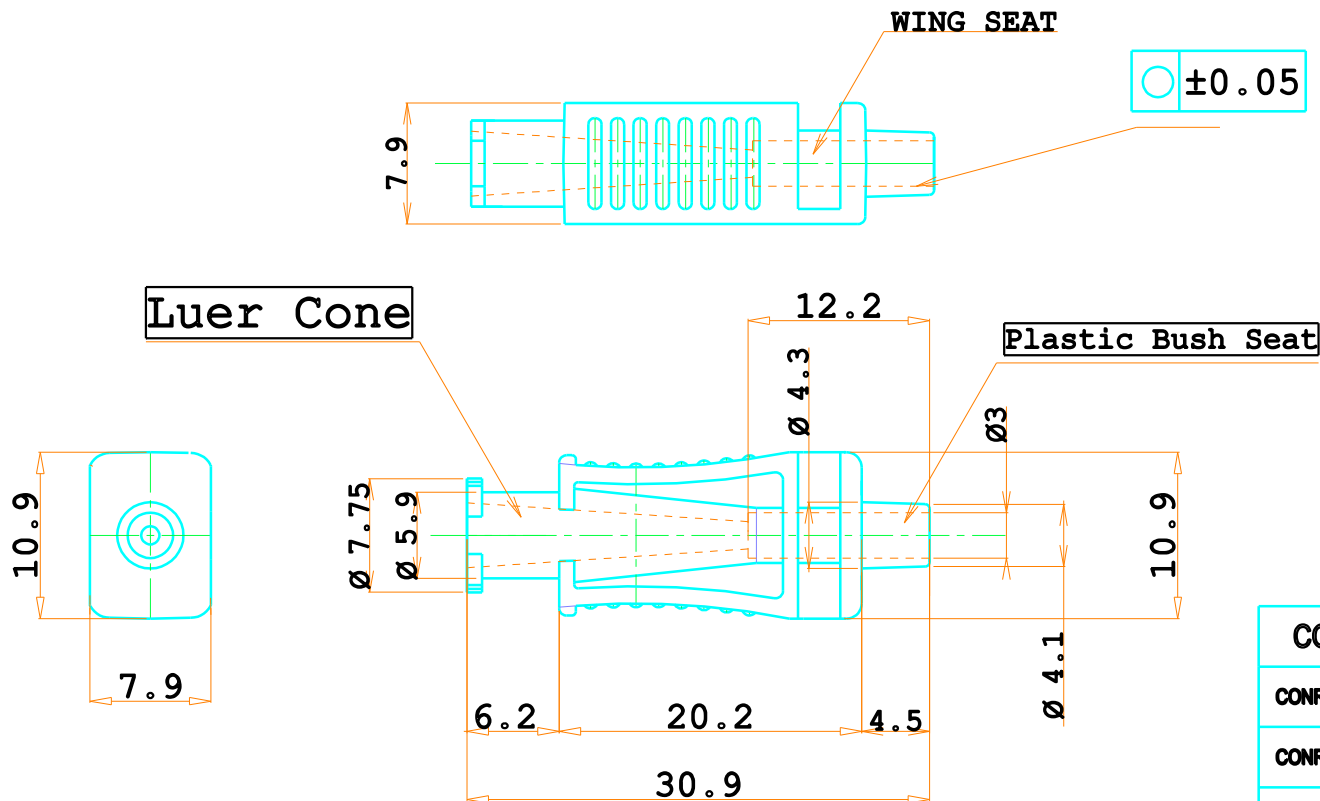
Member Denomination

Customer code

RECTANGULAR HANDLE + PLASTIC BUSH

| Date | Molding Material | C.tion | Machine | Mould Weight | Customer part |
|------------|------------------|------------|----------|------------------|---------------|
| 09/11/2022 | SEE TABLE | --- | --- | --- | SEE TABLE |
| Drawn By | Approved By | Eyebolts | | Mould Dimensions | |
| Cassani M. | Direzione C.A. | --- | | --- | |
| N°Par. | N°Pez. | Dimensions | Material | Treatment | Scale |
| --- | --- | --- | --- | --- | --- |



A4 Sheet
1/1



According to ISO 80369-7

| CODE | MATERIAL | |
|----------|----------|--------------|
| CONRETCY | ZYLAR | |
| CONRETCM | MAKROLON | |
| CONRETC | PC | |
| CONRETCB | PC | COLOR: WHITE |
| CONRETSF | PC | WITHOUT HOLE |

| | | | |
|---|---|---|-----------|
| 3 | 2 | 1 | Changes |
| | | | |
| | | | Signature |
| | | | Date |

| | | | | | | |
|--|-------------------------------|--------------------------------------|---|----------------------|-------------------------|--|
|  CARRO LUIGI Srl 25030 RUDIANO (BS) Via Lavoro & Industria | <u>Mould Denomination</u> | | <u>N° Cavities</u> | <u>Order</u> | | |
| | _____ | | --- | --- | | |
| M0803.04 rev.00 | <u>Member Denomination</u> | | | <u>Customer code</u> | | |
| | RECTANGULAR HANDLE UNIVERSAL | | | --- | | |
| <u>General Tolerances</u> ISO 2768-mk 0.5 < x < 6 +0.1 6 < x < 30 +0.2 30 < x < 120 +0.3 120 < x < 400 +0.5 | <u>Date</u> 09/11/2022 | <u>Molding Material</u> SEE TABLE | <u>C.tion</u> | <u>Machine</u> | <u>Mould Weight</u> | <u>Customer part</u> |
| | <u>Drawn By</u> Cassani M. | <u>Approved By</u> Direzione C.A. |  | <u>Eyebolts</u> | <u>Mould Dimensions</u> | SEE TABLE |
| | <u>N°Par.</u> | <u>N°Pez.</u> | <u>Dimensions</u> | <u>Material</u> | <u>Treatment</u> | <u>Scale</u> 2:1 |
| | --- | --- | --- | --- | --- | --- |
| | | | | | | <div style="border: 1px solid black; padding: 5px; display: inline-block;">A4</div> Sheet 1/1 |