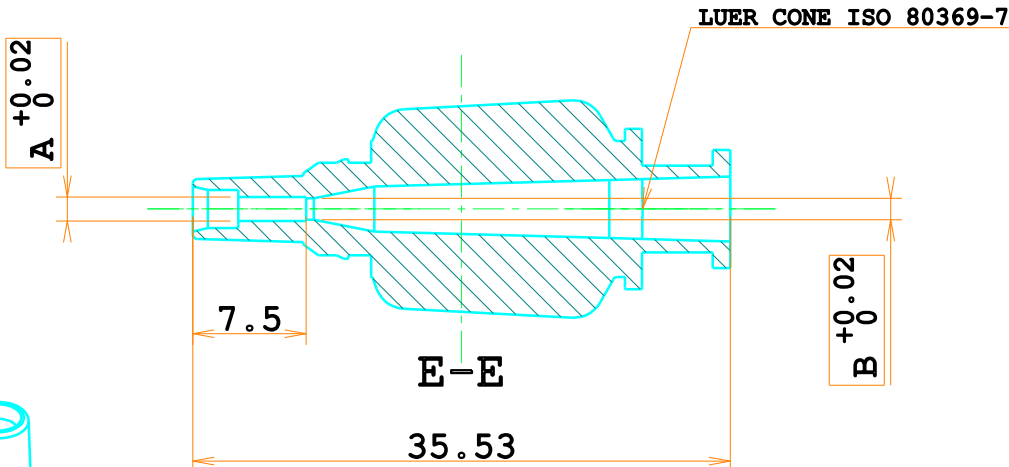
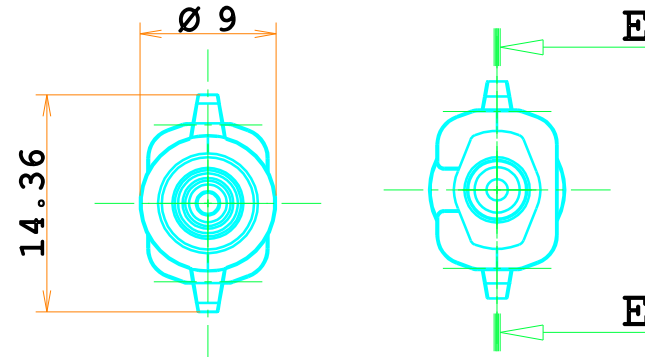
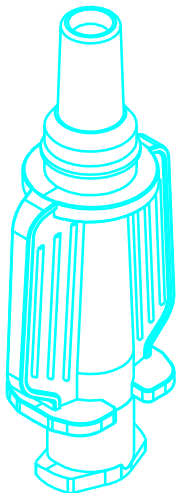


HEADQUARTERS FOR RING



LUER CONE ISO 80369-7



CONREV16				PC
CONREV16Y	16G	1,60	1,35	ZYLAR
CONREV16M				MAKROLON
CONREV15				PC
CONREV15Y	15G	1,80	1,55	ZYLAR
CONREV15M				MAKROLON
CONREV14M				MAKROLON
CONREV14B	14G	2,00	1,75	PC-WHITE
CONREV14Y				ZYLAR
CONREV14				PC
CODE	GAUGE	ØA [mm]	ØB [mm]	MATERIAL

3 2 1

Changes

Signature

Date

 **CARRO LUIGI Srl**
25030 RUDIANO (BS)
Via Lavoro & Industria

M0803.04 rev.00

General Tolerances	ISO 2768-mk
0.5 < x < 6	+0.1
6 < x < 30	+0.2
30 < x < 120	+0.3
120 < x < 400	+0.5

Mould Denomination

N° Cavities

Order

Member Denomination

Customer code

LULLABY REVOLVING HANDLE 14G 15G 16G

Date
02/12/2022

Molding Material
SEE TABLE

C.tion

Machine

Mould Weight

Customer part

Drawn By
Cassani M.

Approved By
Direzione C.A.



Eyebolts

Mould Dimensions

SEE TABLE

N°Par. N°Pez.

Dimensions

Material

Treatment

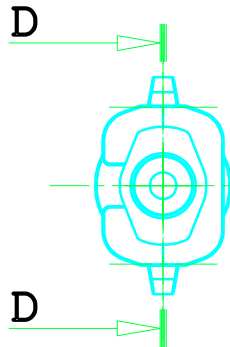
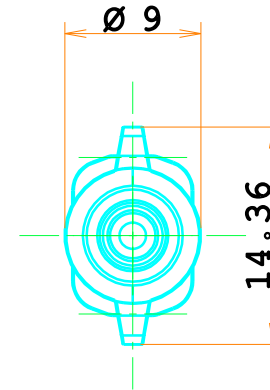
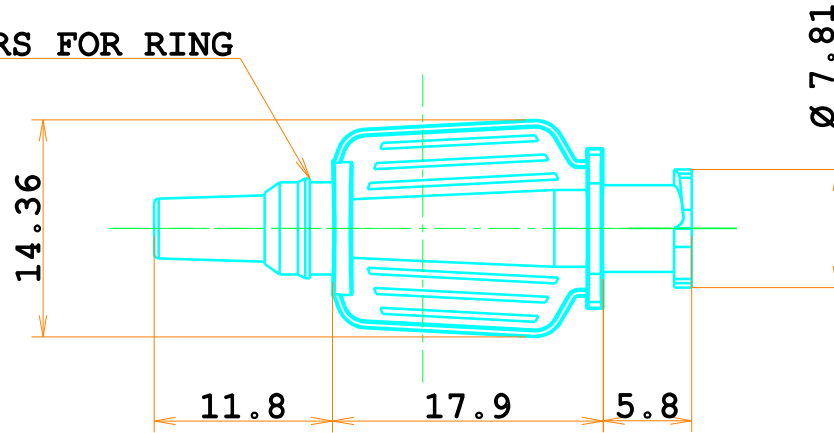
Scale

A4

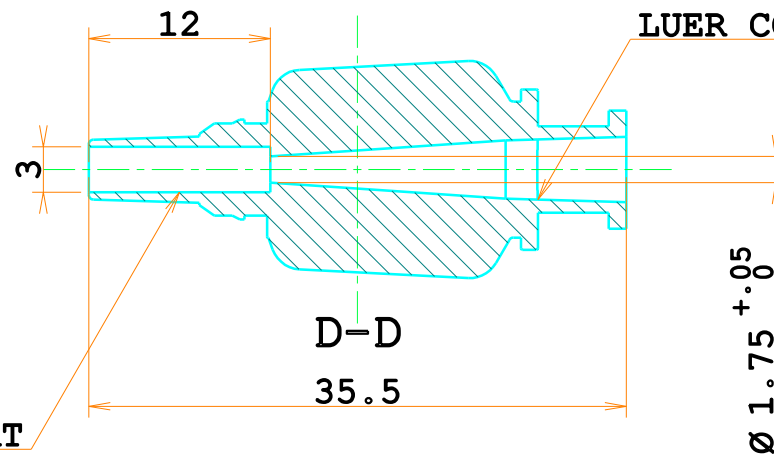
Sheet

1/1

HEADQUARTERS FOR RING



PLASTIC BUSH SEAT



LUER CONE ISO80369-7

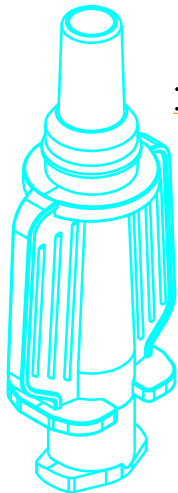
CODE	MATERIAL
CONREVC	PC
CONREVC_M	MAKROLON
CONREVC_S	ZYLAR


3
2
1

Changes

Signature

Date



 **CARRO LUIGI Srl**
25030 RUDIANO (BS)
Via Lavoro & Industria

M0803.04 rev.00

General Tolerances	ISO 2768-mk
0.5 < x < 6	+0.1
6 < x < 30	+0.2
30 < x < 120	+0.3
120 < x < 400	+0.5

Mould Denomination

N° Cavities

Order

Member Denomination

Customer code

LULLABY REVOLVING HANDLE

Date
02/12/2022

Molding Material
SEE TABLE

C.tion

Machine

Mould Weight

Customer part

Drawn By
Cassani M.

Approved By
Direzione C.A.



Eyebolts

Mould Dimensions

SEE TABLE

N°Par.

N°Pez.

Dimensions

Material

Treatment

Scale

A4

Sheet

1/1