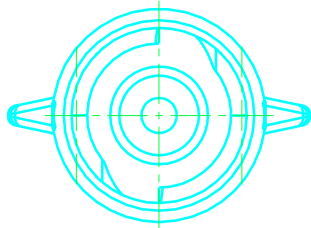



**A-A**  
**LUER LOCK ACC.**  
**TO DIN/ISO 80369-7**

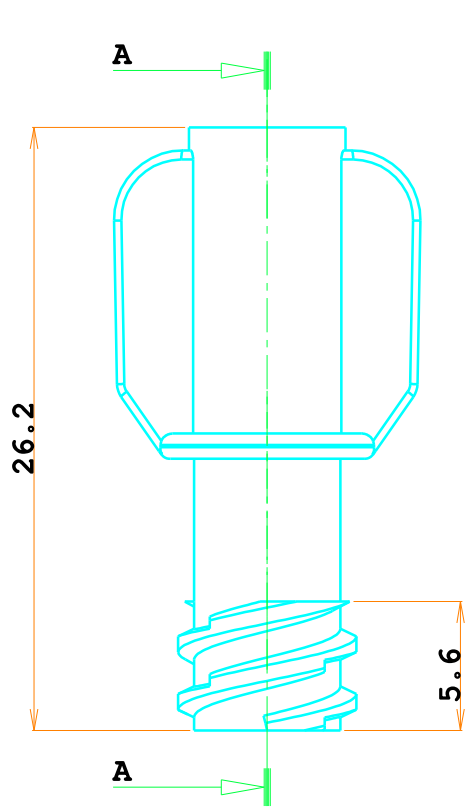
**ONLY FOR CONSULTATION**



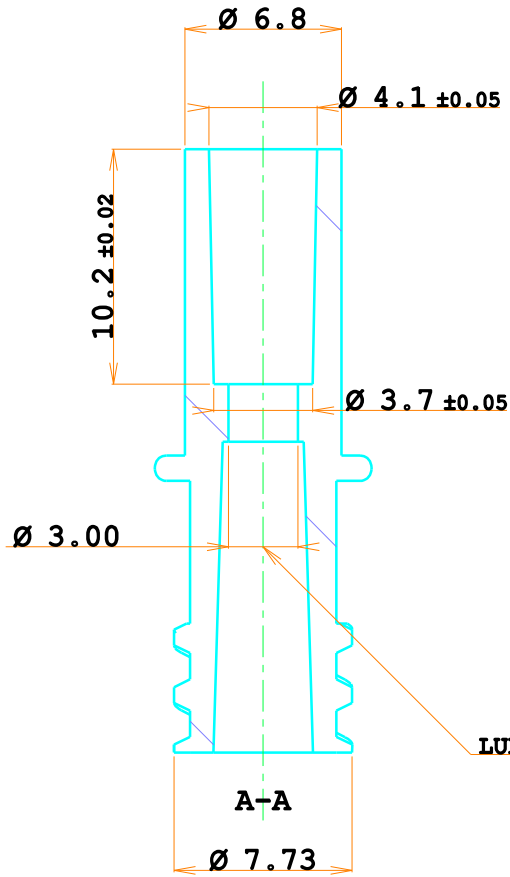
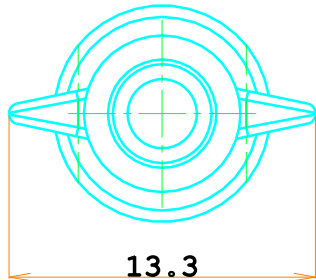
	3	2	1

Changes  
Signature  
Date

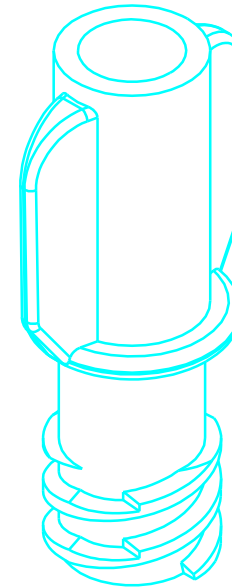
 <b>CARRO LUIGI Srl</b> 25030 RUDIANO (BS) Via Lavoro & Industria	<b>Mould Denomination</b>				<b>N° Cavities</b>	<b>Order</b>
	_____				---	---
<b>M0803.04 rev.00</b>		<b>Member Denomination</b>				<b>Customer code</b>
		<b>FEMALE LUER LOCK TYPE B</b>				---
<b>General Tolerances</b> <b>ISO 2768-mk</b> 0.5 < x < 6 +0.1 6 < x < 30 +0.2 30 < x < 120 +0.3 120 < x < 400 +0.5	<b>Date</b>	<b>Molding Material</b>	<b>C.tion</b>	<b>Machine</b>	<b>Mould Weight</b>	<b>Customer part</b>
	05/01/2023	PVC	_____	_____	_____	ST142B
	<b>Drawn By</b>	<b>Approved By</b>	_____		<b>Mould Dimensions</b>	<b>Sheet</b> -/-
	Cassani M.	Direzione C.A.	_____		_____	
	<b>N° Par.</b>	<b>N° Pez.</b>	<b>Dimensions</b>	<b>Material</b>	<b>Treatment</b>	<b>A4</b>
	_____	_____	_____	_____	_____	
					<b>Scale</b>	
					3:1	



Scala 3:1



LUER CONE ACCORDING TO ISO 80369-7




Scala 3:1

3 2 1

Changes

Signature

Date

 **CARRO LUIGI Srl**  
25030 RUDIANO (BS)  
Via Lavoro & Industria

*M0803.04 rev.00*

General Tolerances		ISO 2768-mk
0.5	< x < 6	+0.1
6	< x < 30	+0.2
30	< x < 120	+0.3
120	< x < 400	+0.5

Mould Denomination

N° Cavities

Order

Member Denomination

Customer code

**LUER FEMALE TYPE B Ø4.1 TO Ø3.7**

Date  
05/01/23

Molding Material  
PVC

C.tion

Machine

Mould Weight

Customer part

Drawn By  
Cassani M.

Approved By  
Direzione C.A.



Eyebolts

Mould Dimensions

**ST142BØ4,1**

N°Par. N°Pez.

Dimensions

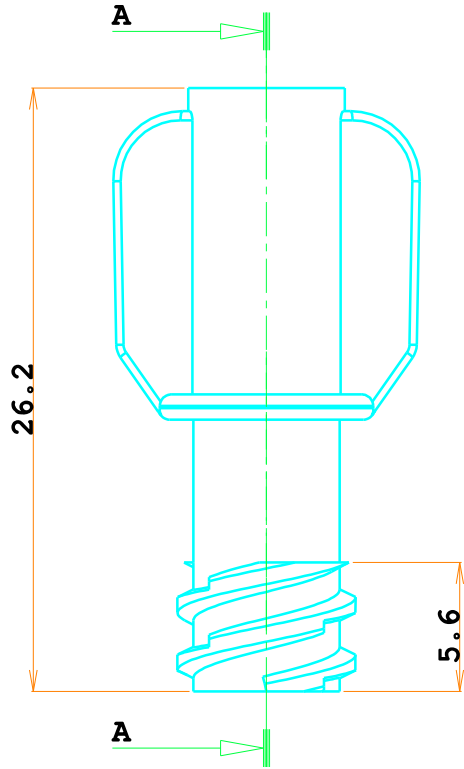
Material

Treatment

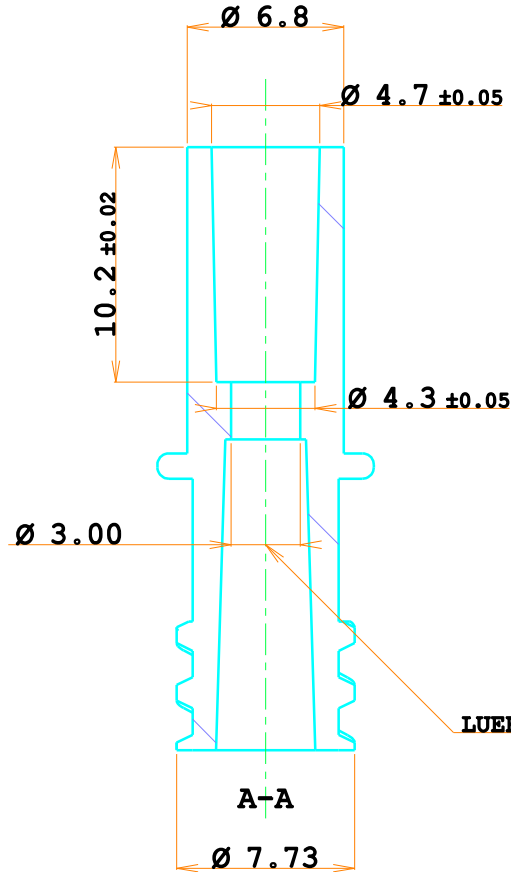
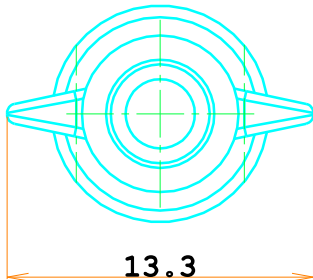
Scale  
3:1

A4

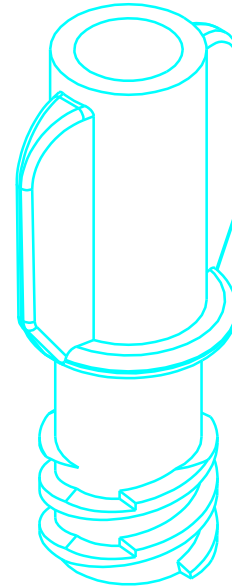
Sheet  
1/1



Scala 3:1



LUER CONE ACCORDING TO ISO 80369-7




Scala 3:1

3 2 1

Changes

Signature

Date

 **CARRO LUIGI Srl**  
25030 RUDIANO (BS)  
Via Lavoro & Industria

**M0803.04 rev.00**

General Tolerances	ISO 2768-mk
0.5 < x < 6	+0.1
6 < x < 30	+0.2
30 < x < 120	+0.3
120 < x < 400	+0.5

Mould Denomination

N° Cavities

Order

Member Denomination

Customer code

FEMNALE LUER LOCK TYPE B Ø4.7 TO Ø4.3

Date  
05/01/23

Molding Material  
PVC

C.tion

Machine

Mould Weight

Customer part

Drawn By  
Cassani M.

Approved By  
Direzione C.A.



Eyebolts

Mould Dimensions

ST142BØ4,7

N°Par.

N°Pez.

Dimensions

Material

Treatment

Scale

3:1

A4

Sheet

1/1