


WHITE	ST250_16
BLUE	ST250_16BL
COLOR	CODE

3	2	1

 **CARRO LUIGI Srl**
 25030 RUDIANO (BS)
 Via Lavoro & Industria

M0803.04 rev.00

General Tolerances ISO 2768-mk

0.5 < x < 6	+0.1	.
6 < x < 30	+0.2	.
30 < x < 120	+0.3	.
120 < x < 400	+0.5	.

Mould Denomination

N° Cavities

Order

Member Denomination

Customer code

STRAIGHT CONNECTOR Ø1.6

Date
11/01/2023

Molding Material
NYLON 6

C.tion

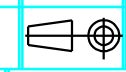
Machine

Mould Weight

Customer part
ST250_16

Drawn By
Cassani M.

Approved By
Direzione C.A.



Eyebolts

Mould Dimensions

N°Par.

N°Pez.

Dimensions

Material

Treatment

Scale
4:1

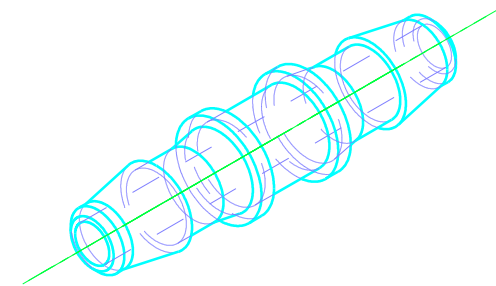
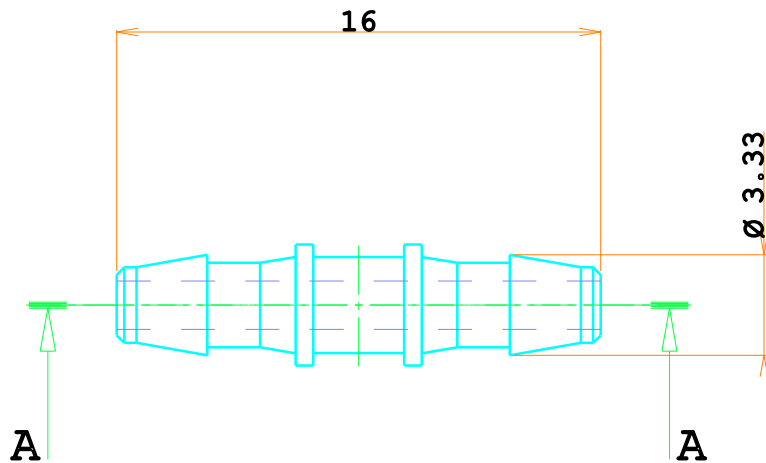
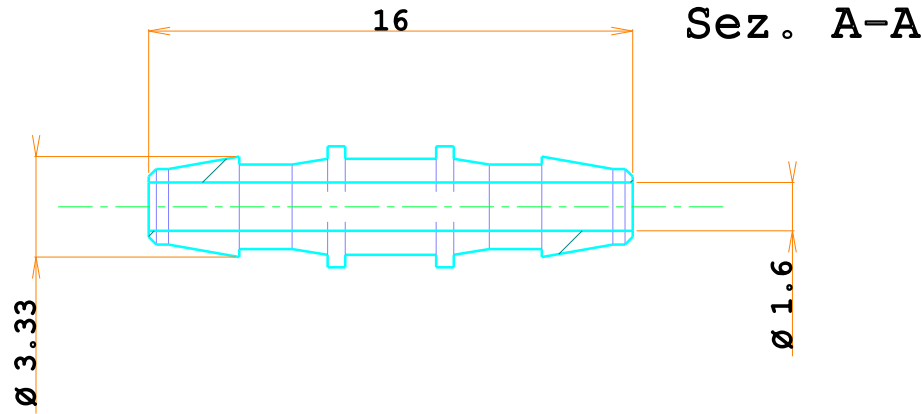
A4

Sheet
1/1

Signature

Date

Changes




3 2 1

Changes

Signature

Date

 **CARRO LUIGI Srl**
25030 RUDIANO (BS)
Via Lavoro & Industria

M0803.04 rev.00

General Tolerances	ISO 2768-mk
0.5 < x < 6	+0.1
6 < x < 30	+0.2
30 < x < 120	+0.3
120 < x < 400	+0.5

Mould Denomination

N° Cavities

Order

Member Denomination

Customer code

STRAIGHT CONNECTOR Ø2.4

Date
11/01/2023

Molding Material
NYLON 6

C.tion

Machine

Mould Weight

Customer part

Drawn By
Cassani M.

Approved By
Direzione C.A.



Eyebolts

Mould Dimensions

ST250_24

N°Par.

N°Pez.

Dimensions

Material

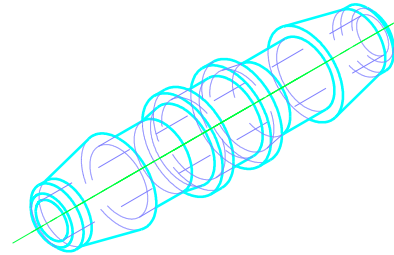
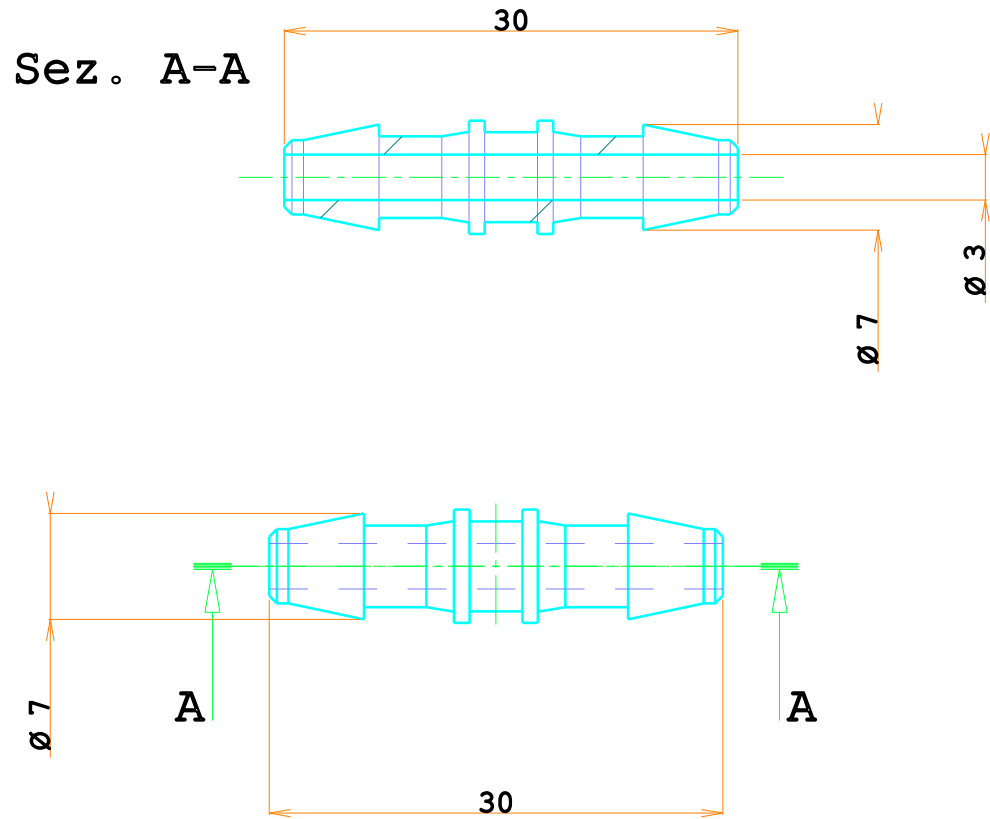
Treatment

Scale

A4

Sheet

1/1





3	2	1

Changes

Signature

Date

 CARRO LUIGI Srl 25030 RUDIANO (BS) Via Lavoro & Industria M0803.04 rev.00	<u>Mould Denomination</u>			<u>N° Cavities</u>	<u>Order</u>
	_____			---	---
	<u>Member Denomination</u>				<u>Customer code</u>
	STRAIGHT CONNECTOR Ø4.8				---
<u>General Tolerances</u>	<u>Date</u>	<u>Molding Material</u>	<u>C.tion</u>	<u>Machine</u>	<u>Mould Weight</u>
ISO 2768-mk	11/01/2022	NYLON 6	_____	_____	_____
0.5 < x < 6 +0.1	<u>Drawn By</u>	<u>Approved By</u>		<u>Eyebolts</u>	<u>Mould Dimensions</u>
6 < x < 30 +0.2	Cassani M.	Direzione C.A.	_____	_____	_____
30 < x < 120 +0.3	<u>N° Par.</u>	<u>N° Pez.</u>	<u>Dimensions</u>	<u>Material</u>	<u>Treatment</u>
120 < x < 400 +0.5	_____	_____	_____	_____	_____
				<u>Scale</u>	A4
				4:1	Sheet
					1/1

This drawing is property of Carro Luigi srl who will safeguard its rights according to the civil and penal provision of the law

