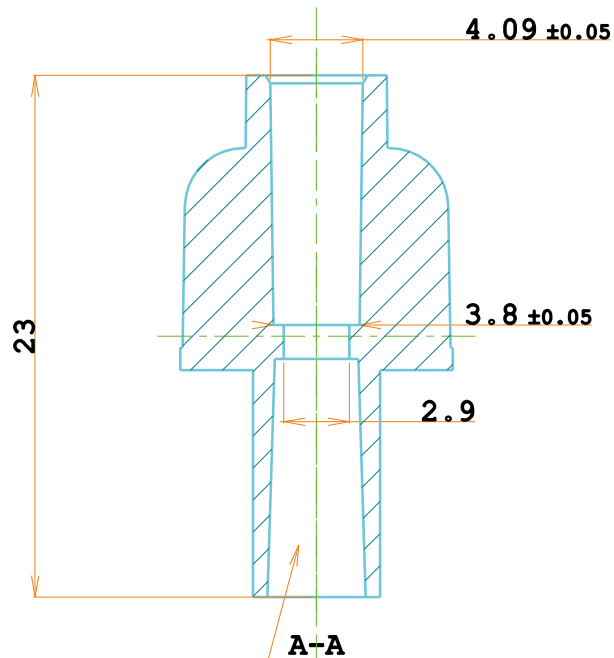
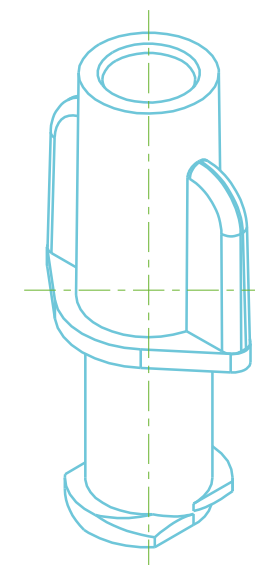


Scala 3:1



LUER LOCK ACC.
TO DIN/ISO 80369-7



3 2 1

Changes

Signature

Date

 **CARRO LUIGI Srl**
25030 RUDIANO (BS)
Via Lavoro & Industria

M0803.04 rev.00

General Tolerances		ISO 2768-mk
0.5	< x < 6	+0.1
6	< x < 30	+0.2
30	< x < 120	+0.3
120	< x < 400	+0.5

Mould Denomination

N° Cavities

Order

Member Denomination

Customer code

LUER LOCK FEMALE

Date

Molding Material

C.tion

Machine

Mould Weight

Customer part

06/04/23

PVC

//

//

Drawn By
Cassani M.

Approved By
Direzione C.A.



Eyebolts

Mould Dimensions

N° Par.

N° Pez.

Dimensions

Material

Treatment

Scale

A4

Sheet

//

1

//

//

//

Scala 3:1

-/-