

3


2

1

Changes

Signature

Date

 **CARRO LUIGI Srl**  
25030 RUDIANO (BS)  
Via Lavoro & Industria

**M0803.04 rev.00**

General Tolerances	ISO 2768-mk
0.5 < x < 6	+0.1
6 < x < 30	+0.2
30 < x < 120	+0.3
120 < x < 400	+0.5

Mould Denomination

N° Cavities

Order

Member Denomination

Customer code

**Y CONNECTOR Ø1.6**

Date  
11/01/2023

Molding Material  
NYLON 6

C.tion

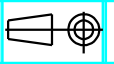
Machine

Mould Weight

Customer part  
ST65 / ST65BL

Drawn By  
Cassani M.

Approved By  
Direzione C.A.



Eyebolts

Mould Dimensions

N°Par.

N°Pez.

Dimensions

Material

Treatment

Scale  
3:1

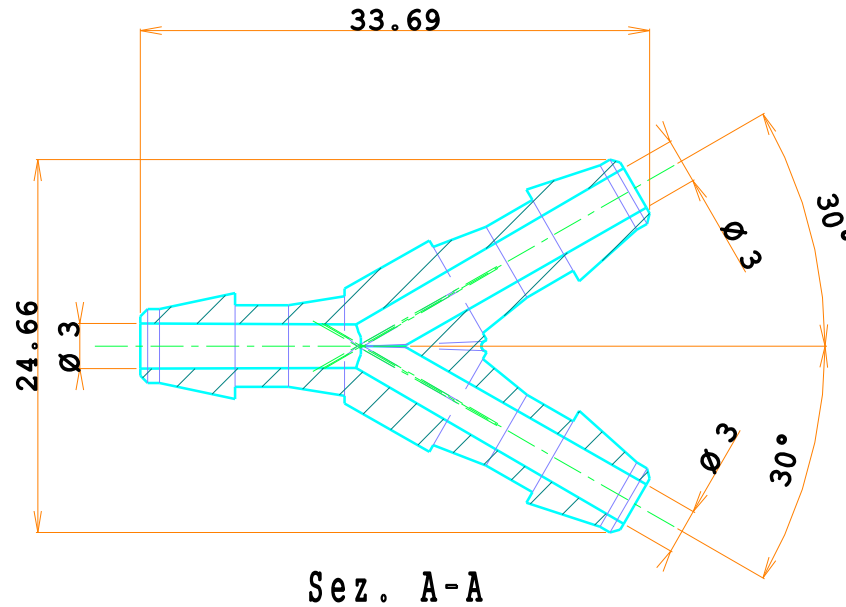
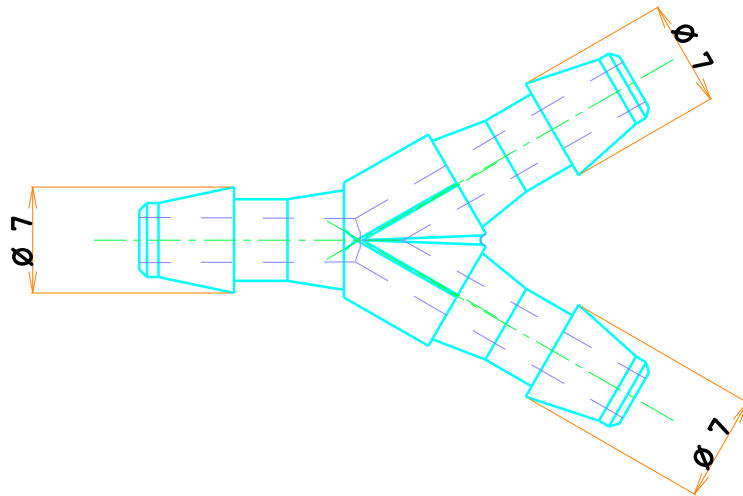
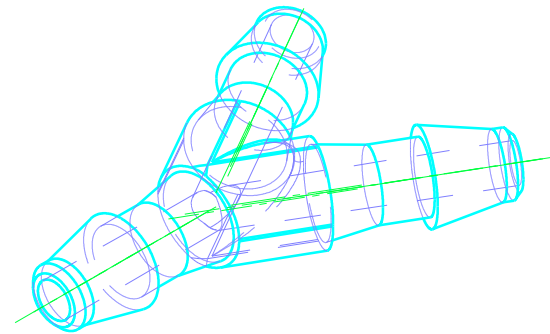
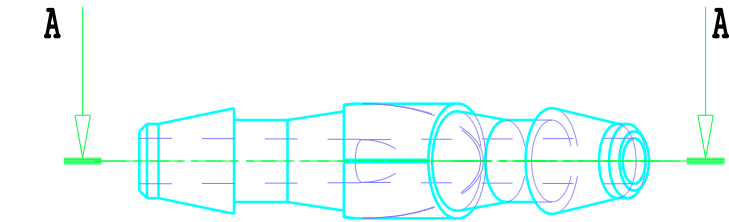
**A4**

Sheet  
1/1









Sez. A-A

3  
2  
1

Changes

Signature

Date



**CARRO LUIGI Srl**

25030 RUDIANO (BS)  
Via Lavoro & Industria

**M0803.04 rev.00**

General Tolerances	ISO 2768-mk
0.5 < x < 6	+0.1
6 < x < 30	+0.2
30 < x < 120	+0.3
120 < x < 400	+0.5

Mould Denomination

N° Cavities

Order

Member Denomination

Customer code

**Y CONNECTOR Ø4.8**

Date  
11/10/2023

Molding Material  
NYLON 6

C.tion

Machine

Mould Weight

Customer part

Drawn By  
Cassani M.

Approved By  
Direzione C.A.



Eyebolts

Mould Dimensions

**ST228Y48**

N°Par.   N°Pez.

Dimensions

Material

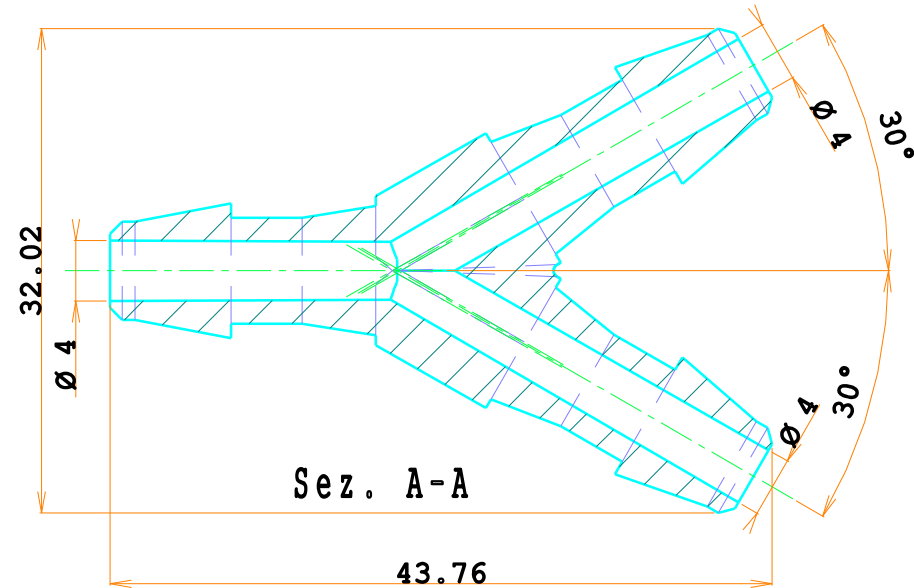
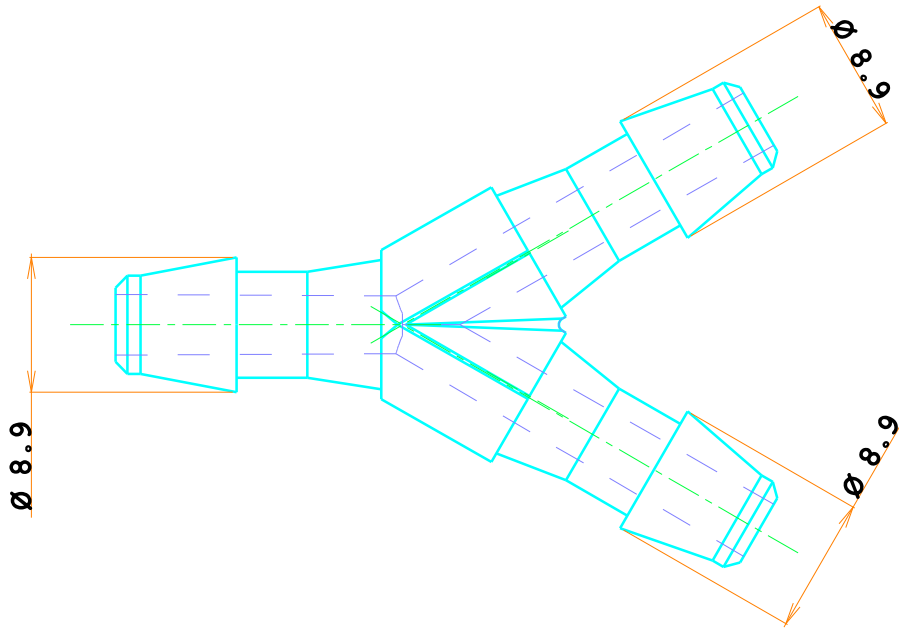
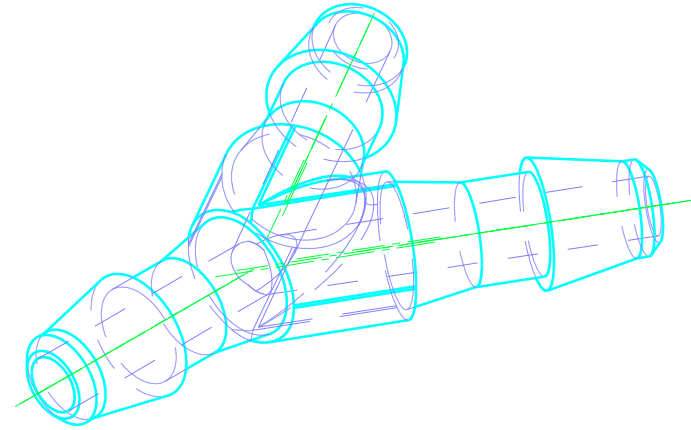
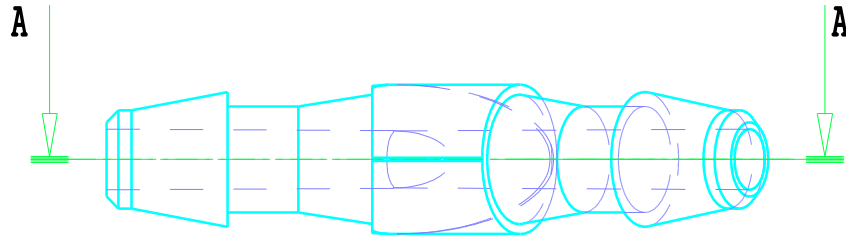
Treatment

Scale

**A4**

Sheet

1/1



Sez. A-A

**CARRO LUIGI Srl**  
 25030 RUDIANO (BS)  
 Via Lavoro & Industria

**M0803.04 rev.00**

General Tolerances		ISO 2768-mk
0.5	< x < 6	+0.1
6	< x < 30	+0.2
30	< x < 120	+0.3
120	< x < 400	+0.5

Mould Denomination

N° Cavities

Order

Member Denomination

Customer code

**Y CONNECTOR Ø6.4**

Date  
11/01/2023

Molding Material  
NYLON 6

C.tion

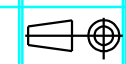
Machine

Mould Weight

Customer part  
ST200Y64

Drawn By  
Cassani M.

Approved By  
Direzione C.A.



Eyebolts

Mould Dimensions

N°Par.

N°Pez.

Dimensions

Material

Treatment

Scale  
3:1

**A4**

Sheet  
1/1

Changes	Signature	Date
3		
2		
1		