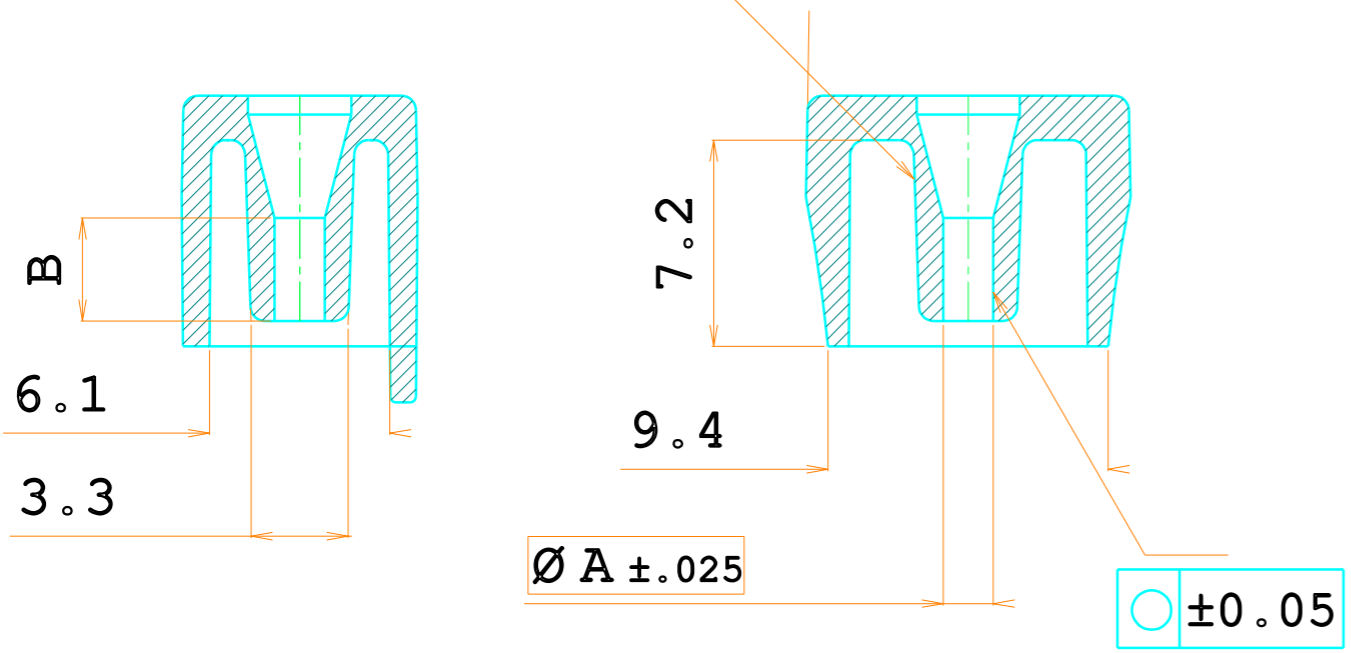


SOLO PER GAUGES
DAL 23G AL 27G

LUER CONE ISO 80369-7



± 0.05

SOLO PER GAUGES
DAL 14G AL 22G

COLOUR	GAUGE	$\varnothing A$	B
GREY	27 G	$\varnothing 0.25$	-
BROWN	26 G	$\varnothing 0.30$	-
ORANGE	25 G	$\varnothing 0.30$	-
MAUVE	24 G	$\varnothing 0.35$	-
LIGHT BLUE	23 G	$\varnothing 0.35$	-
BLACK	22 G	$\varnothing 0.45$	2
LIGHT GREEN	21 G	$\varnothing 0.55$	2
YELLOW	20 G	$\varnothing 0.65$	2.5
BEIGE	20G Coax.	$\varnothing 0.95$	2.5
BEIGE	19 G	$\varnothing 0.80$	2.5
PINK	18 G	$\varnothing 1.00$	2.5
RED	18G Coax.	$\varnothing 1.30$	2.5
RED	17 G	$\varnothing 1.10$	2.5
WHITE	16 G	$\varnothing 1.30$	3.5
BLUE	16G Coax.	$\varnothing 1.62$	3.5
BLUE	15 G	$\varnothing 1.50$	3.5
DARK GREEN	14 G	$\varnothing 1.70$	3.5
LIGHT BLUE	14G Coax.	$\varnothing 2.00$	3.5

Date	Signature	Changes
		3 2 1

 25030 RUDIANO (BS) Via Lavoro & Industria M0803.04 rev.00	Mould Denomination _____		N° Cavities _____	Order _____		
	Member Denomination RECTANGULAR CAP		Customer Code _____			
General Tolerances ISO 2768-mk 0.5 < x < 6 +0.1 . 6 < x < 30 +0.2 . 30 < x < 120 +0.3 . 120 < x < 400 +0.5 .	Date 16/01/2023	Molding Material ABS	C.tion _____	Machine _____	Mould Weight _____	Customer Part SEE TABLE
	Drawn by Cassani M.	Approved by Direzione C.A.		Eyebolts _____	Mould Dimensions _____	Scale 5:1
	N° Par. _____	N° Pez. _____	Material _____	Treatment _____	Scale 5:1	Sheet 1/1