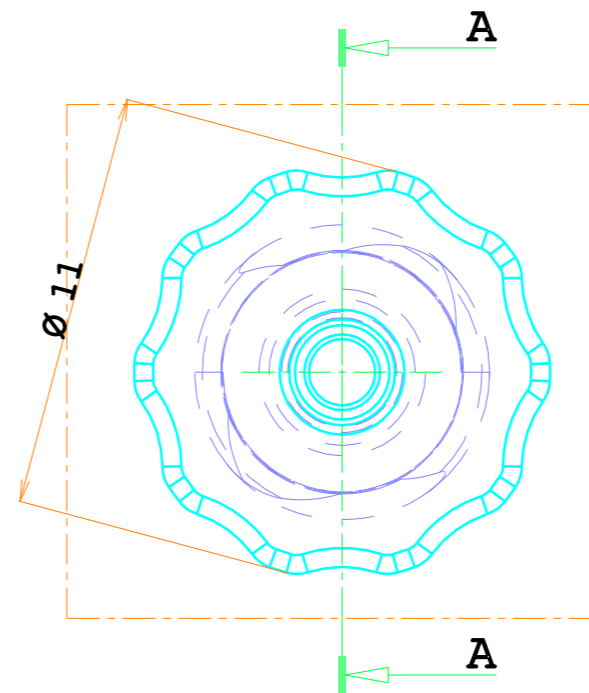
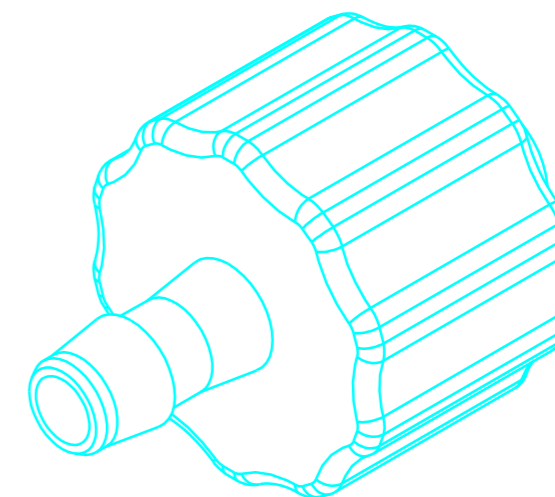


Sez. A-A



Scala 5:1



Codice	Ø nom.	A	Ø B	Ø C	D	E
ST233_16	Ø 1.6	15.50	Ø 1.2	Ø 2.3	2.45	5.45
ST233_24	Ø 2.4	16.15	Ø 1.6	Ø 3.4	3.15	6.10
ST233_32	Ø 3.2	17.70	Ø 2	Ø 4.6	4.1	7.65
ST233_40	Ø 4	18.65	Ø 2.5	Ø 5.8	5.1	8.60
ST233_48	Ø 4.8	21.35	Ø 3	Ø 6.95	6.3	11.20
ST233_64	Ø 6.4	23.55	Ø 3.95	Ø 8.4	7	13.40

CARRO LUIGI Srl 25030 RUDIANO (BS) Via Lavoro & Industria	Mould Denomination				N° Cavities	Order
	Member Denomination				Customer Code	
M0803.04 rev.00	CONNECTOR TO TUBE WITH LUER INTERNAL THREAD				Customer Part	
General Tolerances ISO 2768-mk 0.5 < x < 6 +0.1 6 < x < 30 +0.2 30 < x < 120 +0.3 120 < x < 400 +0.5	Date 12/01/2023	Molding Material PA6	C.tion ---	Machine ---	Mould Weight ---	SEE TABLE
Drawn by Cassani M.	Approved by Direzione C.A.		Eyebolts ---	Mould Dimensions ---	Scale 5:1	
N° Par. ---	N° Pez. ---	Dimensions ---	Material ---	Treatment ---	Scale 5:1	Sheet 1/1

26/04/2023	Cassani M. 2	Barbed zone dimensions with Ø nominal tube update
22/03/2023	Cassani M. 1	Barbed zone dimensions with Ø nominal tube update
Date	Signature	Changes

