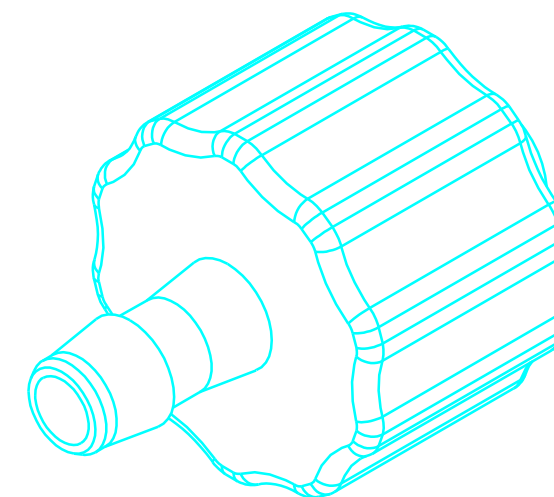
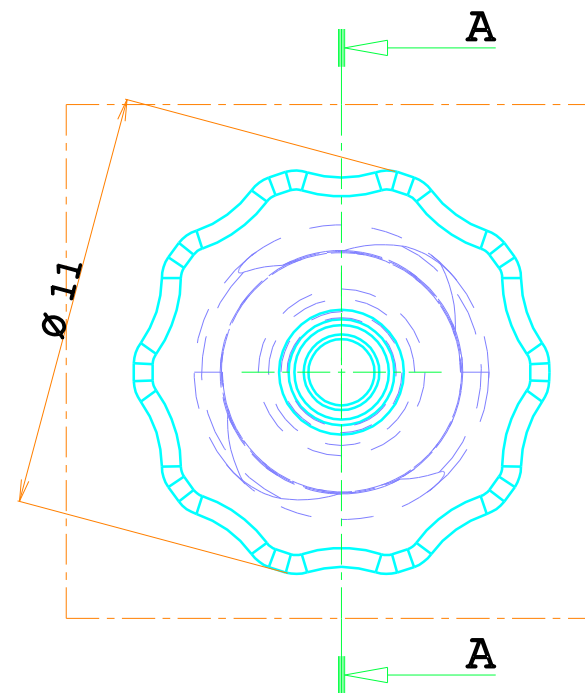


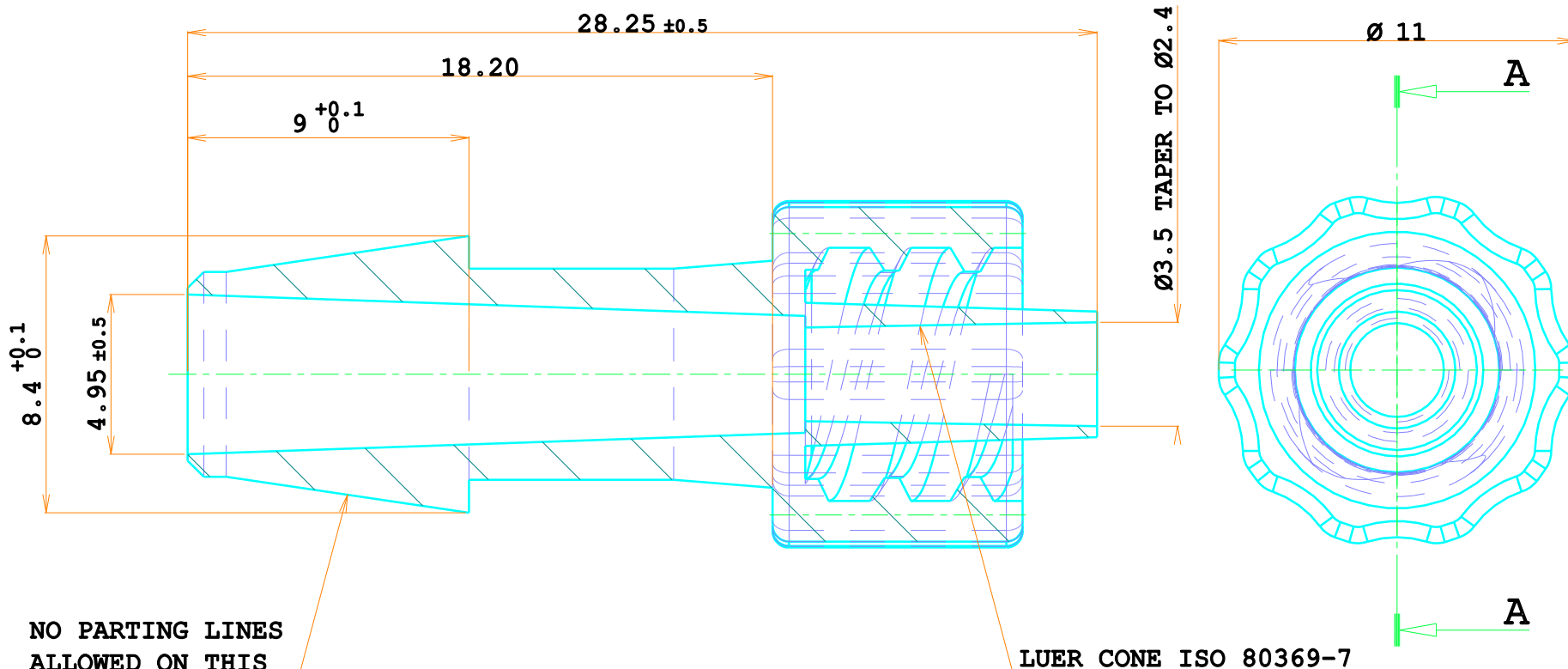
Sez. A-A



Codice	Ø nom.	A	Ø B	Ø C	D	E
ST233_16	Ø 1.6	15.50	Ø 1.2	Ø 2.3	2.45	5.45
ST233_24	Ø 2.4	16.15	Ø 1.6	Ø 3.4	3.15	6.10
ST233_32	Ø 3.2	17.70	Ø 2	Ø 4.6	4.1	7.65
ST233_40	Ø 4	18.65	Ø 2.5	Ø 5.8	5.1	8.60
ST233_48	Ø 4.8	21.35	Ø 3	Ø 6.95	6.3	11.20
ST233_64	Ø 6.4	23.55	Ø 3.95	Ø 8.4	7	13.40

CARRO LUIGI Srl 25030 RUDIANO (BS) Via Lavoro & Industria	Mould Denomination				N° Cavities	Order
	Member Denomination					
M0803.04 rev.00	CONNECTOR TO TUBE WITH LUER INTERNAL THREAD					
Date 12/01/2023	Molding Material PA6	C.tion	Machine	Mould Weight		
Drawn by Cassani M.	Approved by Direzioone C.A.		Eyebolts	Mould Dimensions		
N° Par.	N° Pez.	Dimensions	Material	Treatment	Scale 5:1	Customer Part SEE TABLE
						Sheet 1/1

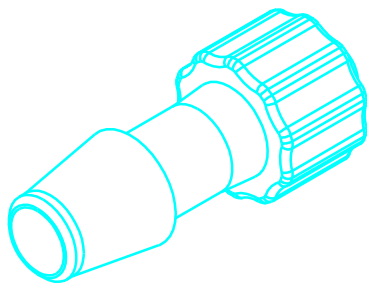
26/04/2023	Cassani M. 2	Barbed zone dimensions with Ø nominal tube update
22/03/2023	Cassani M. 1	Barbed zone dimensions with Ø nominal tube update
Date	Signature	Changes



NO PARTING LINES
ALLOWED ON THIS
CONICAL SURFACE

Sez. A-A

Scala 5:1



3	Barbed zone dimensions with \varnothing nominal tube update	Changes
2	Barbed zone dimensions with \varnothing nominal tube update	
1	Barbed zone dimensions with \varnothing nominal tube update	
26/04/2023	Cassani M.	Date
23/03/2023	Cassani M.	
	Signature	

<p>CARRO LUIGI Srl 25030 RUDIANO (BS) Via Lavoro & Industria</p>	<u>Mould Denomination</u>			<u>N°Cavities</u>	<u>Order</u>
	Member Denomination			---	
<u>M0803.04 rev.00</u>	CONNECTOR TO TUBE WITH LUER INTERNAL THREAD $\varnothing 6.4$ SPECIAL			---	
<u>General Tolerances</u> ISO 2768-mk 0.5 < x < 6 +0.1 6 < x < 30 +0.2 30 < x < 120 +0.3 120 < x < 400 +0.5	<u>Date</u>	<u>Molding Material</u>	<u>C.tion</u>	<u>Machine</u>	<u>Mould Weight</u>
	12/01/2023	PP	---	---	---
	<u>Drawn By</u>	<u>Approved By</u>		<u>Eyebolts</u>	<u>Mould Dimensions</u>
	Cassani M.	Direzione C.A.		---	---
	<u>N°Par.</u>	<u>N°Pez.</u>	<u>Dimensions</u>	<u>Material</u>	<u>Treatment</u>
	---	---	---	---	---
				<u>Scale</u>	<u>Sheet</u>
				5:1	A4 1/1