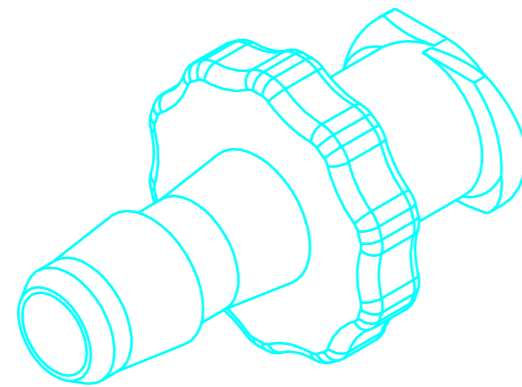


Sez. A-A



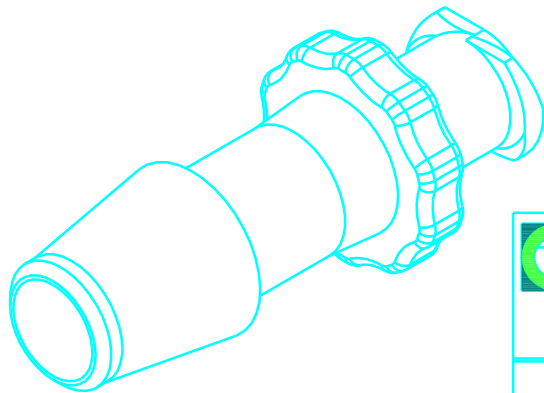
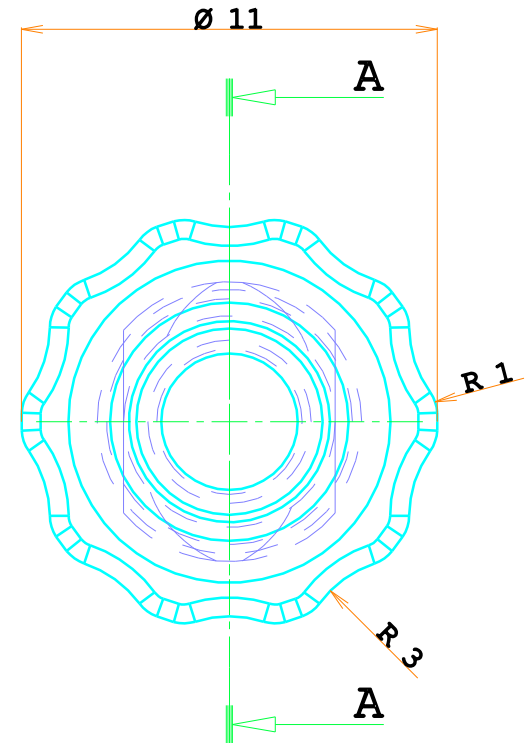
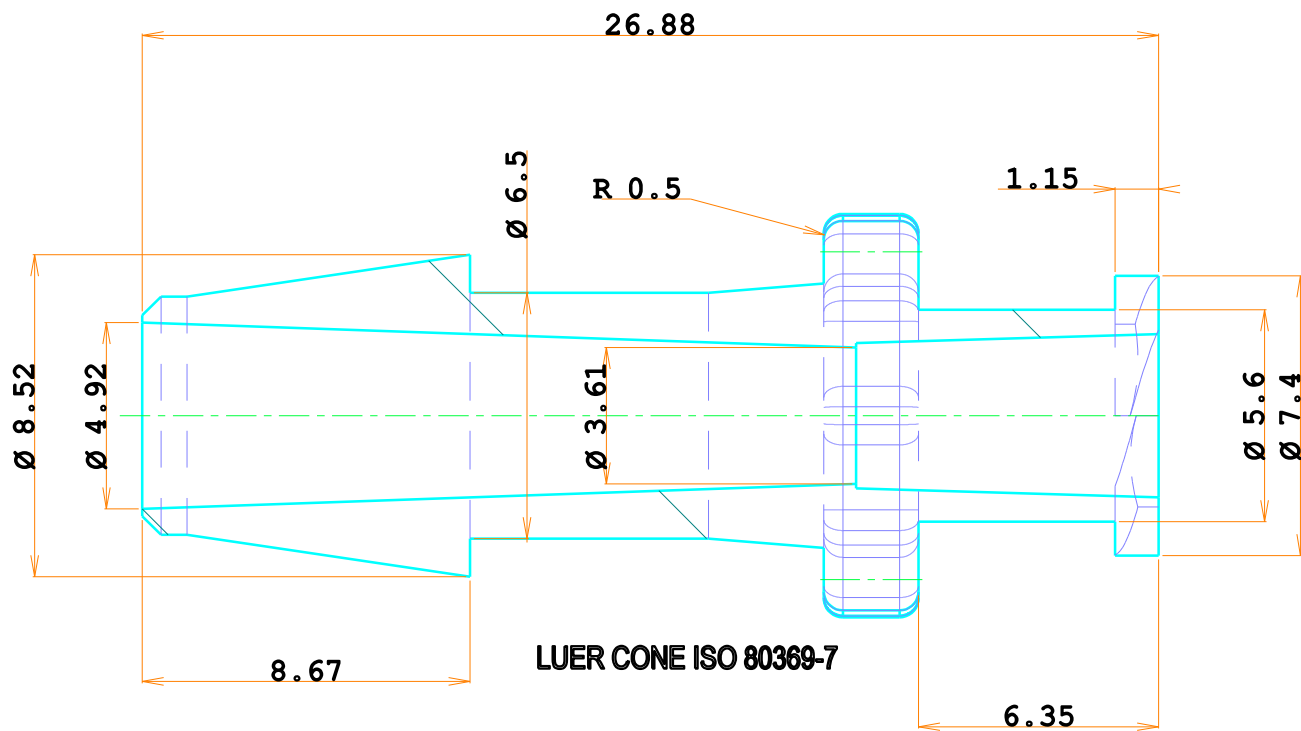
4:1

3	2	1

Date Signature Changes

Codice	Ø nom.	A	Ø B	Ø C	D	E
ST234_16	Ø 1.6	13.9	Ø 0.95	Ø 2.15	2.05	5.1
ST234_24	Ø 2.4	13.9	Ø 1.4	Ø 2.6	2.05	5.1
ST234_32	Ø 3.2	15.1	Ø 1.70	Ø 3.5	2.55	6.2
ST234_40	Ø 4	16	Ø 2.15	Ø 4.25	3.5	7.1
ST234_48	Ø 4.8	18.3	Ø 2.6	Ø 4.95	4.5	9.5
ST234_64	Ø 6.4	20.3	Ø 3.55	Ø 6.6	5	11.5

<b>CARRO LUIGI Srl</b> 25030 RUDIANO (BS) Via Lavoro & Industria		<u>Mould Denomination</u> ---			<u>N° Cavities</u> ---	<u>Order</u> ---
<b>M0803.04 rev.00</b>		<u>Member Denomination</u> <b>CONNECTOR TO TUBE WITH LUER EXTERNAL THREAD</b>			<u>Customer Code</u> <b>4010022</b>	
<u>Date</u> 12/01/2023	<u>Molding Material</u> PA6	<u>C.tion</u> ---	<u>Machine</u> ---	<u>Mould Weight</u> ---	<u>Customer Part</u> <b>SEE TABLE</b>	
<u>Drawn by</u> Cassani M.	<u>Approved by</u> Direzione C.A.			<u>Mould Dimensions</u> ---	<b>A3</b> Sheet 1/1	
<u>N° Par.</u> ---	<u>N° Pez.</u> ---	<u>Dimensions</u> ---	<u>Material</u> ---	<u>Treatment</u> ---	<u>Scale</u> 4:1	



Sez. A-A


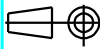
Scala 5:1

3 2 1

Changes

Signature

Date

 <b>CARRO LUIGI Srl</b> 25030 RUDIANO (BS) Via Lavoro & Industria	<u>Mould Denomination</u>			<u>N° Cavities</u>	<u>Order</u>
	-----			---	---
<b>MO803.04 rev.00</b> <u>General Tolerances</u> <b>ISO 2768-mk</b> 0.5 < x < 6 +0.1 6 < x < 30 +0.2 30 < x < 120 +0.3 120 < x < 400 +0.5	<u>Member Denomination</u>			<u>Customer code</u>	
	<b>CONNECTOR TO TUBE WITH LUER EXTERNAL THREAD Ø6.4 SPECIAL</b>			---	
	<u>Date</u>	<u>Molding Material</u>	<u>C.tion</u>	<u>Machine</u>	<u>Mould Weight</u>
	12/01/2023	PP	-----	-----	-----
	<u>Drawn By</u>	<u>Approved By</u>		<u>Eyebolts</u>	<u>Mould Dimensions</u>
	Cassani M.	Direzione C.A.		-----	-----
	<u>N°Par.</u>	<u>N°Pez.</u>	<u>Dimensions</u>	<u>Material</u>	<u>Treatment</u>
	-----	-----	-----	-----	-----
				<u>Scale</u>	<b>A4</b>
				5:1	Sheet 1/1